

Superformance

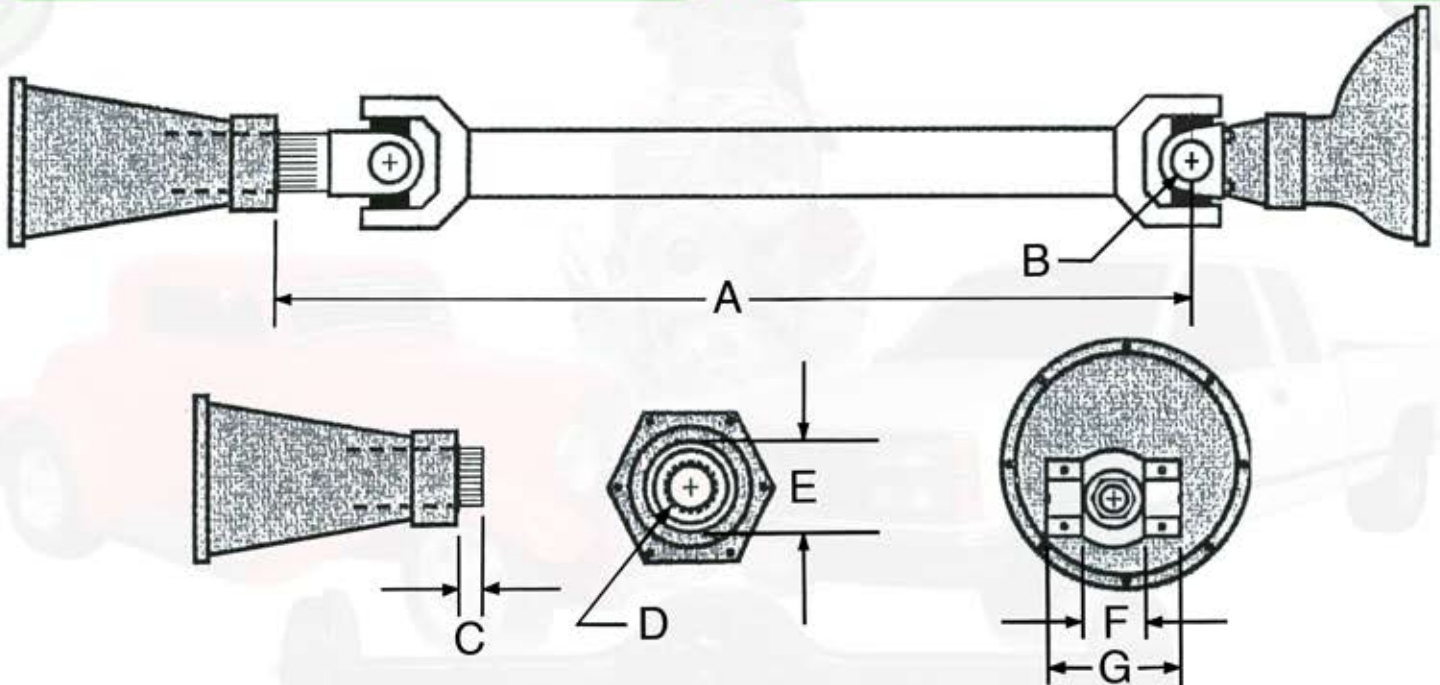
DRIVESHAFT ORDER FORM

INVOICING ADDRESS

NAME:
 COMPANY:
 ADDRESS:
 TOWN/SUBURB:
 STATE: POSTCODE:
 PHONE: FAX:
 EMAIL:

DELIVERY ADDRESS

ATTENTION:
 COMPANY:
 ADDRESS:
 TOWN/SUBURB:
 STATE: POSTCODE:
 PHONE: FAX:



Vehicle Make: Vehicle Model:
 Engine HP: Engine Max. RPM:
 Transmission Type: Differential Type:

A - Length: E - Seal Diameter:
 B - Cap Diameter: F - Length:
 C - Length: G - Length:
 D - Spline Count: Notes:

Street Only - Street/Strip - Strip Only - Other -

www.superformance.com.au
 Email: info@superformance.com.au
 Phone: +61 (07) 3488 7888
 Trading Hours: Monday to Friday 8am - 5pm, Saturday 8am - 12 noon

In business since 1978
 f superformanceptyltd
 © superformance_pty_ltd

539 Redland Bay Road
 Capalaba, Queensland
 4157, Australia